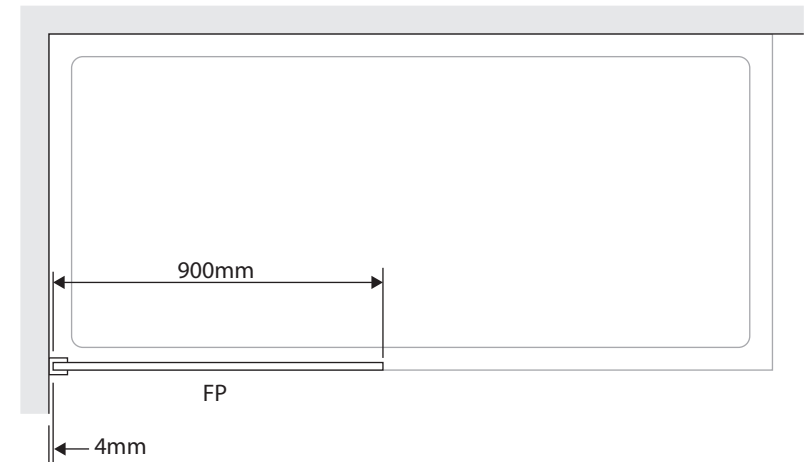
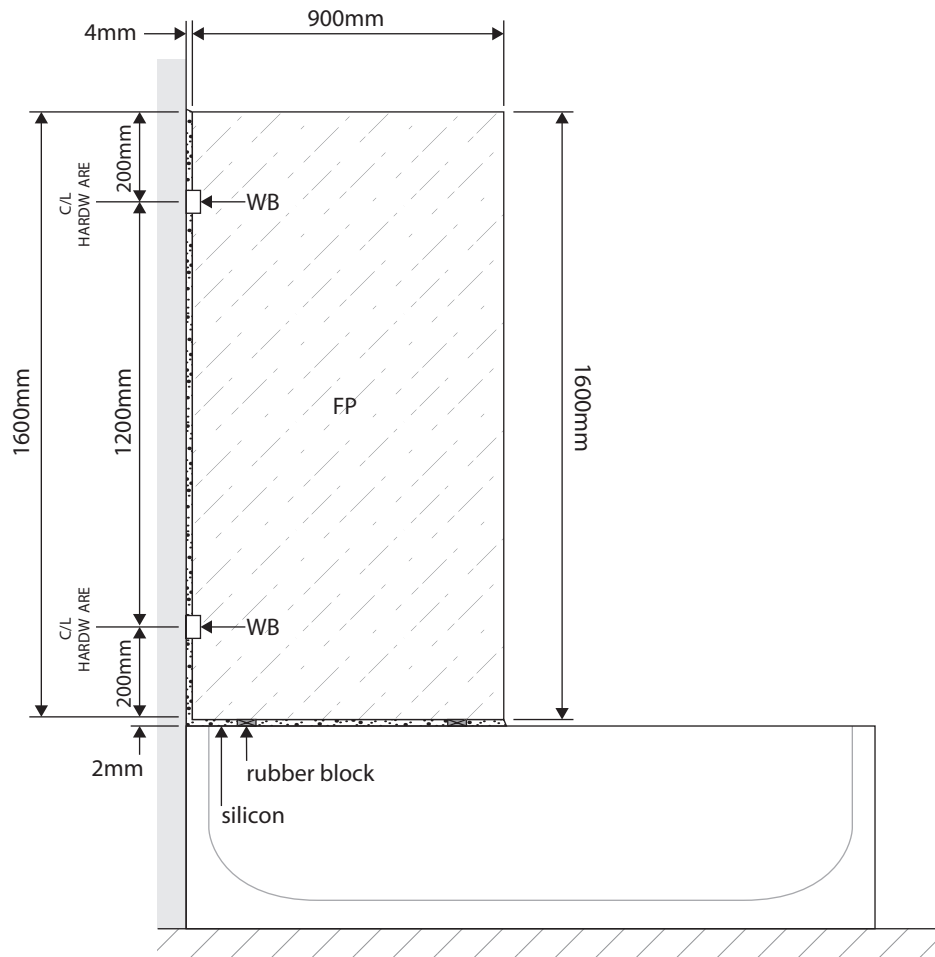


# OVERBATH 1-PANEL SHOWER SERIES (technical drawings)



## LEGEND

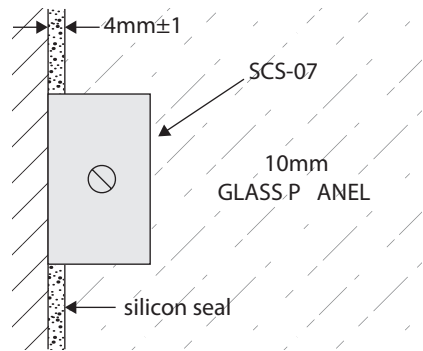
FP Shower screen fixed panel (SS-900)

WB Wall Bracket x2 (SCS-07)

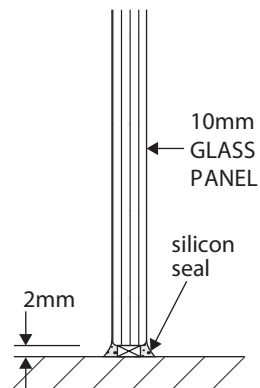
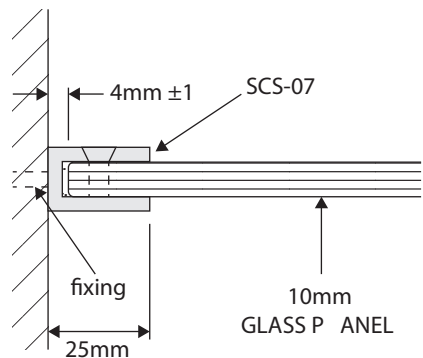
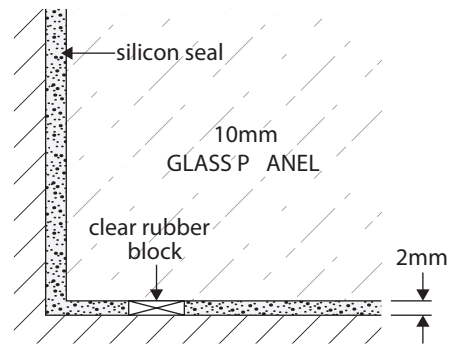
\*\* All glass is 10mm clear toughened. \*\*

# WALL/FLOOR MOUNTING APPLICATIONS & WATER SEALS (for overbath 1-panel)

## CLAMP



## GLASS-TO-FLOOR SEAL



WALL MOUNT DRAWINGS